



# Selective Pallet Rack



**DMH - DONOBROG, INC**

**ENGINEER - SALES - INSTALLATION - REPAIR - MOVE**

**PH: (502-231-9226 / E-MAIL: [donobrog@donobrog.com](mailto:donobrog@donobrog.com))**





## What Is Selective Pallet Rack?

Selective pallet racking is the most common type of racking used in today's warehouses. Along with its efficient use of space, it provides “selectivity” to all products on the rack giving you instant access to what you need. Selective pallet rack is also a very flexible when it comes to expanding or reconfiguring your system in the future.

What material handling products are included in selective pallet racking? At its core, uprights (frames), beams (cross beams), and various pallet rack accessories. Material Handling Exchange specializes in the manufacturing of all of your selective pallet racking needs. From our high quality roll-formed beams and uprights to the most common accessories, we will have you covered. The following pages are a sampling of what MHE has to offer.

## We Manufacture Your Storage Solutions





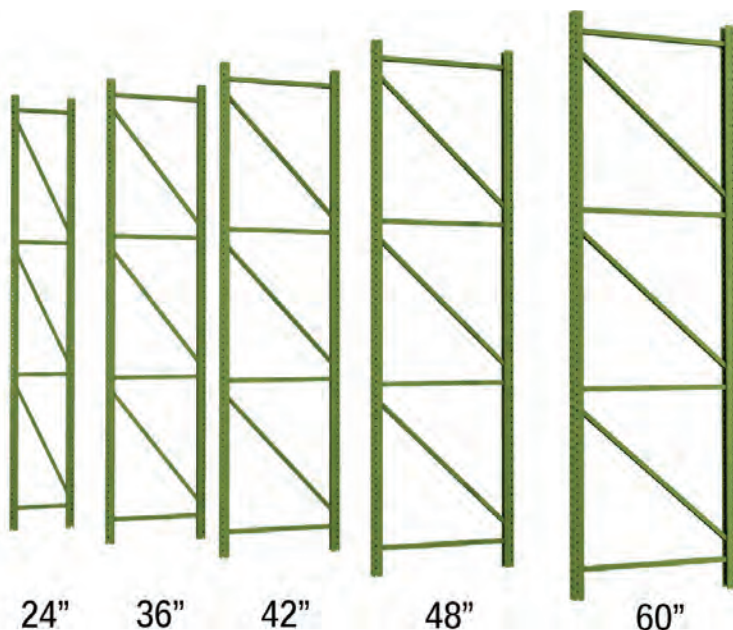
## Upright Frames

MHE's pallet rack upright frames are made from heavy duty 11,12,13 & 14 gauge steel and are assembled using a welded construction design to create a ridged and very durable end result. These welded uprights have tear drop holes punched every 2" which allow for the easy adjustability of your beam levels within your pallet rack system.

Our uprights are interchangeable with most manufacturer's teardrop designs. These uprights have a long lasting powder coat finish that is baked on at over 900 degrees.

### Some Advantages of MHE Uprights

- Made from 11,12,13 or 14 Gauge steel
- Foot plates are made to bolt to the floor easily
- Shelf levels can be adjusted to allow for any size pallet.
- Teardrop style allows for use of a number of beam styles
- Braces are placed on the upright strategically to allow for maximum strength & durability



Material Handling Exchange manufactures and stocks all the common sizes you would find in any warehouse.

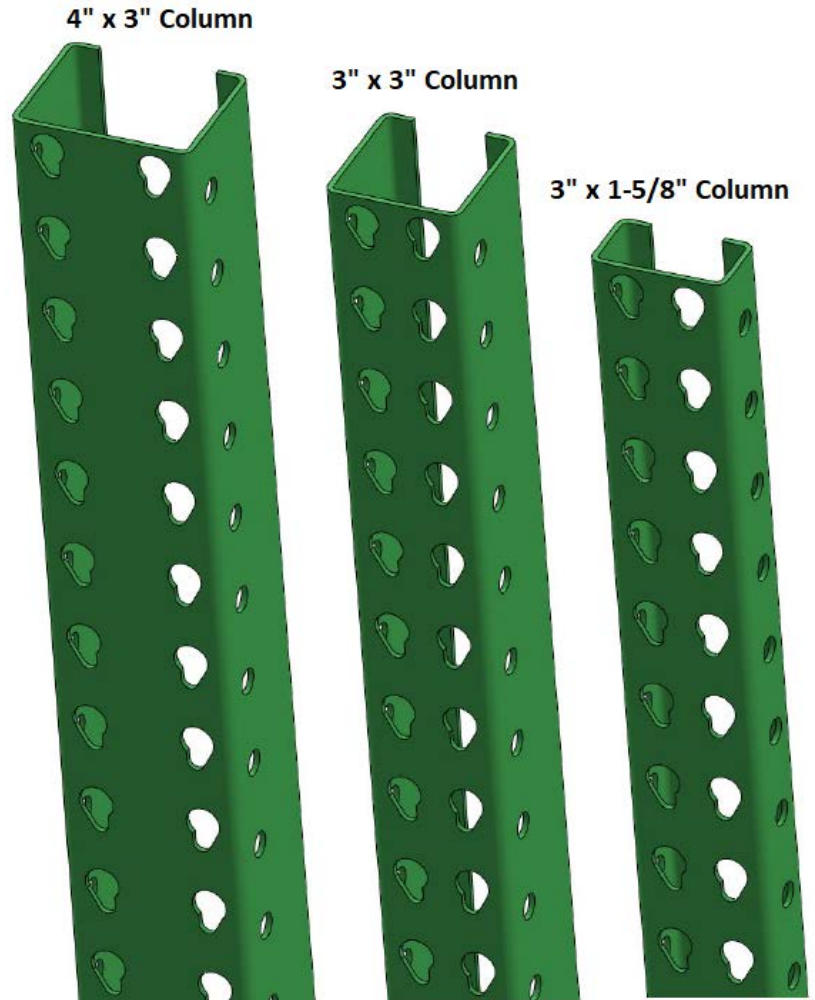
From 24" to 60" deep uprights, MHE has you covered for any size pallet you may encounter in a warehouse.

We also have almost any height you will ever need. Need a custom height for you warehouse? We have you covered.



The capacity of an upright is determined by a few variables. Gauge of steel, column size, and beam spacing.

- The thicker the gauge of steel, the higher capacity the upright can handle.
- The column size also affects the capacity. A 3" x 3" column has a higher capacity than a 3" x 1 5/8". A 4" x 3" column has a higher capacity than a 3" x 1-5/8".
- Vertical spacing is the distance between the beams. Greater distances yield lower capacity. Most manufacturers base it upon 48" spacing.
- Specialty Uprights: With today's stringent engineering standards by most municipalities nationwide, we offer a variety of combinations to fulfill any seismic and/or capacity related requirements



Maximum Vertical Beam Spacing	UR-1	UR-3	UR-4	UR-5	UR-6	UR-7	UR-8	UR-9	UR-10
	3X1.625 14 GA	3X3 14 GA	3X3 13 GA	3X3 12 GA	3X3 11 GA	4X3 14 GA	4X3 13 GA	4X3 12 GA	4X3 11 GA
36	18,900	28,200	36,000	40,500	47,900	40,600	49,000	57,200	62,100
42	17,200	26,000	33,000	37,100	43,800	38,600	46,600	54,300	58,900
48	15,000	22,900	29,000	32,500	38,300	36,900	44,500	51,800	56,200
54	13,600	21,000	26,500	29,700	34,800	35,000	42,100	49,000	53,200
60	12,200	19,200	24,000	26,800	31,300	33,000	39,700	46,100	50,000
66	10,700	17,600	21,400	23,900	27,800	30,900	37,100	43,000	46,600
72	9,300	15,800	18,700	21,000	24,400	28,700	34,500	39,900	43,200
78	8,100	12,000	16,500	19,000	21,300	26,500	31,800	36,700	39,800
84	7,200	10,700	14,700	16,400	19,000	24,300	29,100	33,600	36,400
90	6,320	10,000	13,100	15,100	16,900	22,200	26,500	30,500	33,000
96	5,700	8,500	11,800	13,000	15,100	20,100	24,000	27,500	29,700

Maximum Vertical Beam Spacing is measured from Floor to Beam or Beam to Beam. Whichever is greater.

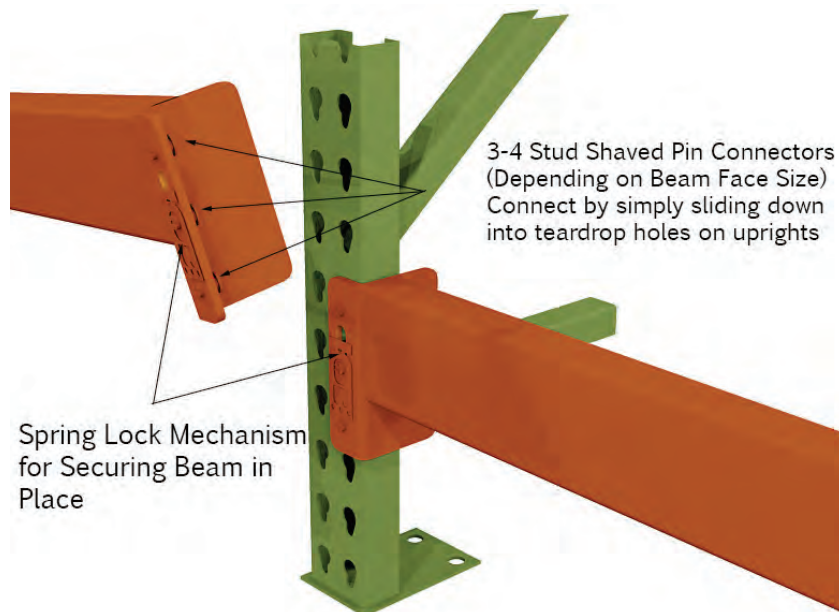


## Beams

MHE offers a one-piece pallet rack beam design with an interchangeable connector clip that will work in most tear drop brands including the New Style Interlake design. These beams are built with a 1-5/8" Step to accommodate pallet support bars that are both hat channel or waterfall types. Our pallet rack beams provide a secure connection to the upright frames using a 3 or 4 pin design depending on the beams capacity requirements. The pins of the beam connector provide a secure positive locking system and incorporate a self locking safety spring device which automatically pops in to place when the beams are installed in the uprights. Our beams are powder coated using a quality powder coating material that is baked on at 900 degrees to insure a quality finish for years to come.

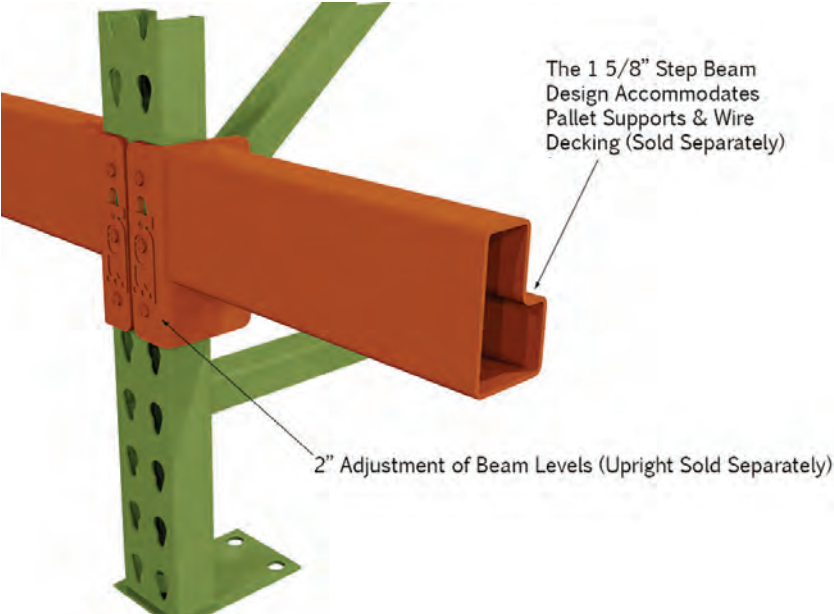
### Some Advantages of MHE Beams

- Pallet Rack Beams lock into slots on uprights & then are pinned on for extra security.
- Capacities can range from 1,540 Lb to over 20,000 Lb per pair.
- 14 & 16 Gauge heavy duty steel with quality powder coat finish.
- Range in size from 48 inches to over 180 inches.
- Shaved Pin Connectivity so they will work with most Teardrop or Interlake New Style



MHE's pallet rack beams come with Shaved Pin connectivity. This makes them compatible with both Teardrop style racking as well as Interlake New Style racking.





All of our beams have a standard 1 5/8" step that all standard pallet supports or wire mesh decking will fit into.

Safety is always a big concern in any warehouse environment. We have designed our beams with a spring lock mechanism for securing beams in to place. No need for J-Pins. They are built right in.

We can make any face size or length to fit your needs.

### M-H-E STEP BEAM CAPACITIES FOR TEARDROP COMPATIBLE PALLET RACKING

BEAM FACE SIZE	2.5" 16ga SB256	2.5" 16ga SB256	3" 16ga SB306	3.5" 16ga SB356	4" 16ga SB406	4.5" 16ga SB456	5" 16ga SB506	5.5" 16ga SB556	6" 16ga SB606	6" 14ga SB604	6.5" 16ga SB656	6.5" 14ga SB654
BEAM LENGTH	4"/2 Pin Connector	6"/3 Pin Connector	6"/3 Pin Connector	6"/3 Pin Connector	6"/3 Pin Connector	6"/3 Pin Connector	6"/3 Pin Connector	8"/4 Pin Connector	8"/4 Pin Connector	8"/4 Pin Connector	8"/4 Pin Connector	8"/4 Pin Connector
48	4,829	5,236	6,406	7,757	9,276	10,953	12,780	15,055	17,145	20,270	16,664	22,590
54	4,224	4,772	5,808	7,002	8,345	9,828	11,445	13,493	15,344	18,125	14,896	20,179
60	3,421	4,396	5,327	6,396	7,599	8,928	10,377	12,243	13,902	16,408	13,482	18,249
66	2,827	4,085	4,931	5,899	6,987	8,190	9,503	11,219	12,722	15,003	12,324	16,670
72	2,376	3,822	4,598	5,483	6,476	7,575	8,774	10,365	11,738	13,831	11,359	15,354
78	2,024	3,598	4,315	5,130	6,043	7,053	8,156	9,642	10,905	12,840	10,542	14,240
84	1,745	3,194	4,071	4,826	5,671	6,606	7,626	9,022	10,191	11,989	9,841	13,285
90	1,520	2,853	3,801	4,562	5,348	6,217	7,167	8,483	9,571	11,252	9,234	12,456
96	1,336	2,568	3,412	4,446	5,245	6,086	7,005	8,297	9,350	10,984	9,012	12,149
102	1,184	2,326	3,084	4,006	4,986	5,775	6,637	7,866	8,854	10,394	8,525	11,487
108	1,056	2,120	2,804	3,634	4,638	5,497	6,310	7,482	8,412	9,869	8,093	10,897
114	948	1,942	2,564	3,315	4,220	5,249	6,016	7,137	8,017	9,399	7,706	10,370
120	855	1,787	2,356	3,039	3,860	4,840	5,752	6,827	7,661	8,975	7,357	9,895
126	776	1,651	2,174	2,799	3,548	4,439	5,492	6,547	7,338	8,592	7,041	9,465
132	707	1,531	2,015	2,589	3,274	4,089	5,050	6,170	7,045	8,243	6,754	9,074
138	647	1,425	1,873	2,403	3,033	3,782	4,662	5,688	6,776	7,852	6,492	8,716
144	594	1,330	1,747	2,238	2,820	3,509	4,319	5,263	6,351	7,252	6,384	8,566
150	547	1,245	1,635	2,091	2,630	3,268	4,016	4,887	5,891	6,721	6,157	8,065
156	506	1,168	1,534	1,959	2,461	3,052	3,745	4,552	5,480	6,249	5,948	7,492
162	469	1,099	1,442	1,840	2,308	2,858	3,502	4,252	5,113	5,827	5,754	6,979
168	436	1,036	1,359	1,733	2,170	2,684	3,284	3,981	4,784	5,448	5,574	6,520

Material Handling Exchange can manufacture beam lengths from 48" to 180".

## Accessories

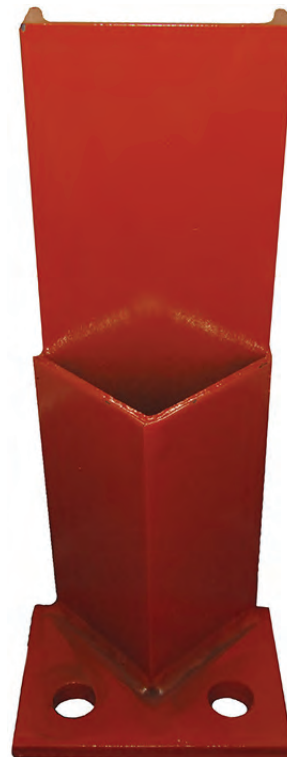


MHE Row Spacers can help keep your pallet rack rows right in line with exact spacing down the row.

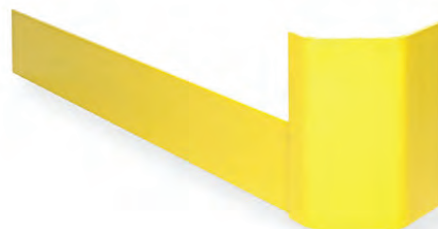
They bolt right to the upright so installation is extremely easy. We offer all the standard sizes and can make custom sizes if required.



MHE pallet supports can be used when wire mesh decking isn't needed. Typically two pallet supports are installed per pallet location. Pallet supports will help provide added stability to help prevent product from falling in between beams. They can also help if your pallet doesn't reach to the back beam. As always, never overload your levels.



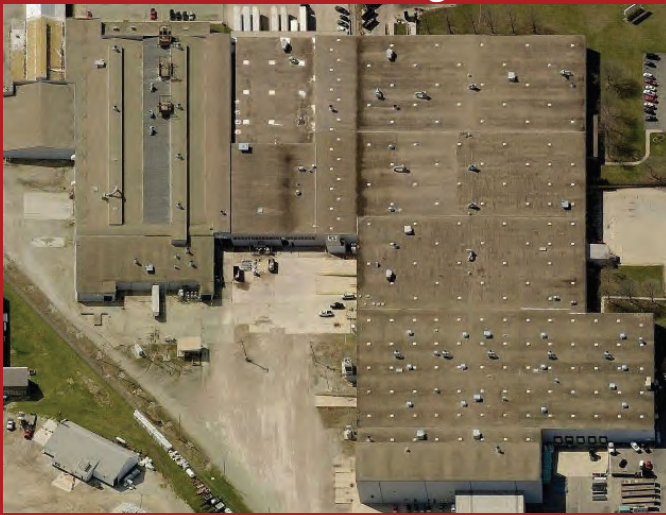
MHE Column Protectors help prevent upright damage throughout your facility. Forklifts or other warehouse equipment can run into an upright making it unusable or possibly dangerous. We offer bolt on and floor mount column protectors.



MHE End of Aisle Guards are put on the end of pallet rack rows typically in the aisle way where there is considerable traffic. They supply total coverage of the upright frame from damage. They usually are made either in left or right side configurations.



## Manufacturing



## Distribution



Material Handling Exchange (MHE) has provided our customers with great quality new and used material handling products since 1989. Headquartered in Indianapolis, our 350,000 square foot warehouse facility is centrally located, which allows for quick destinations not to mention another 300,000 sf throughout the nation full of new & used material handling equipment!

What sets us apart from our competitors is the inventory that we stock.

We don't sell out of other dealer inventories. Instead, we carry the largest stock in the nation – with hundreds of thousands of beams, uprights and wire decks on hand for immediate distribution.

Our daily inventory includes:

- 30,000 new and used beams everyday
- 15,000 new and used uprights everyday
- Thousands of wire decks
- Thousands of feet of conveyor

We offer an Inventory Stock Program as well on commons size uprights and beams to enable our customers the ability to respond to those last minute business opportunities requiring quick storage solutions. Whether you need just a few items or an entire warehouse of material we are happy to assist you. With over 25 years in business our highly experienced professionals are looking forward to helping you design the right storage system for all of your warehousing needs.

Our team can design a system for you or quote exactly what you need. Our large in-stock inventory of teardrop, new style, & many more beams and uprights allow us to ship your order within 48 hours.

There's more! MHE can purchase any equipment you want to liquidate for CASH. We buy entire warehouses, including real estate. In addition, we pay cash for equipment you no longer need in your warehouse and can give you a trade-in allowance towards new material and

MUCH MUCH MORE!

